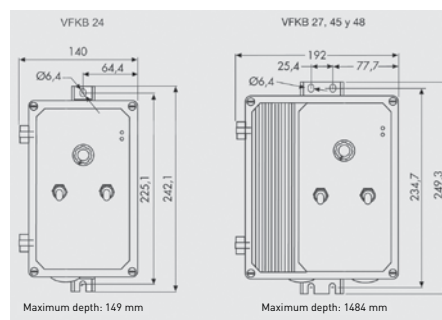




VFKB IP65

For three phase motors from 0.37 to 4 kW.
Die cast aluminium IP65 case.
Simple to operate (does not require programming).
Voltage supplies: single phase 230V-50/60Hz (VFKB 24 and 27) three phase 400V-50/60Hz (VFKB 45 and 48).
Motor kW selection jumper.
Power on and drive status leds.
Speed selection with potentiometer.
ON/OFF switch.
Run/Fault relay output contacts.
Motor overload and shortcut protections.
RFI/EMI level A filter.



The selection of the adjustable frequency drive has to be made with the maximum current absorbed of the fan or extractor.

Model	Power motor (kW)	Maximum current (A)	Weight (kg)
Single phase supply 230V-50/60Hz, three phase output 230V			
VFKB 24	0,37	2,2	2,7
	0,55	3,6	
VFKB 27	0,75	4,7	4,7
	1,1	6,1	
	1,5	6,7	
Three phase supply 400V-50/60Hz, three phase output 400V			
VFKB 45	0,37	1,8	4,7
	0,55	2,1	
	0,75	2,8	
	1,1	3,4	
	1,5	4,6	
VFKB 48	2,2	5,6	4,7
	3	7,8	
	4	8,3	