

OV-S

Air Transfer Device

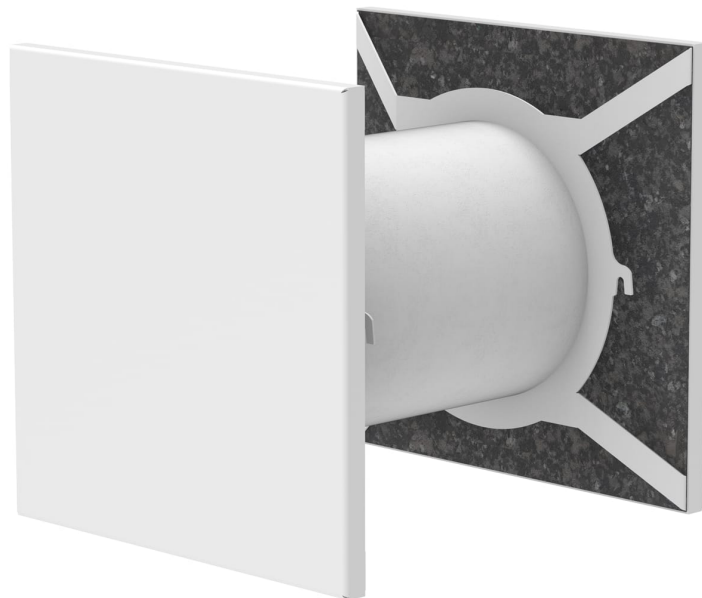


Table of Contents

Description	3
Dimensions & Weights	5
Ordering Codes	6
Accessories	7
Technical Parameters	8
Installation	9
Transport, Storage and Operation	13
Supplement	14

Description

OV-S is an air transfer device with sound attenuation elements. The product is intended for air transfer between neighbouring rooms. The product is installed into walls. The field of application is residential, hotel, office rooms etc.

Highlights

- Outstanding sound attenuation
- Low generated sound level in operation
- Low air transfer resistance
- Inconspicuous, slim and compact design
- Easy and quick installation

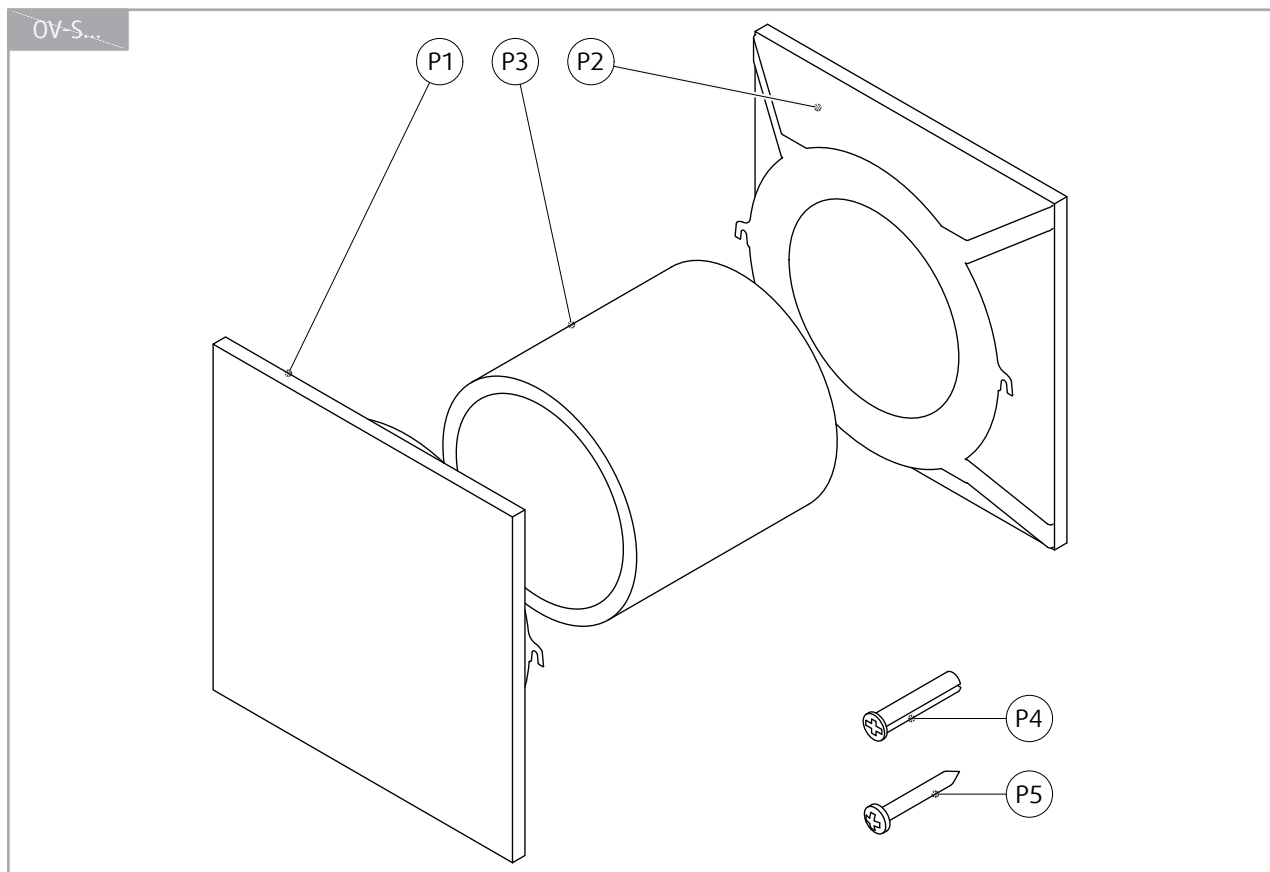
Accessory:

- AL-OV-R: Acoustic lining mat

Design

OV-S is manufactured from low-carbon steel. The product consists of two covers with acoustic attenuation foam inlays attached to their inner sides. The AL-OV-R acoustic lining mat is a part of the OV-S package. The product is provided powder painted to RAL9003 (signal white) as standard. Other RAL colours are available upon request.

Product Parts



Legend

P1 Cover

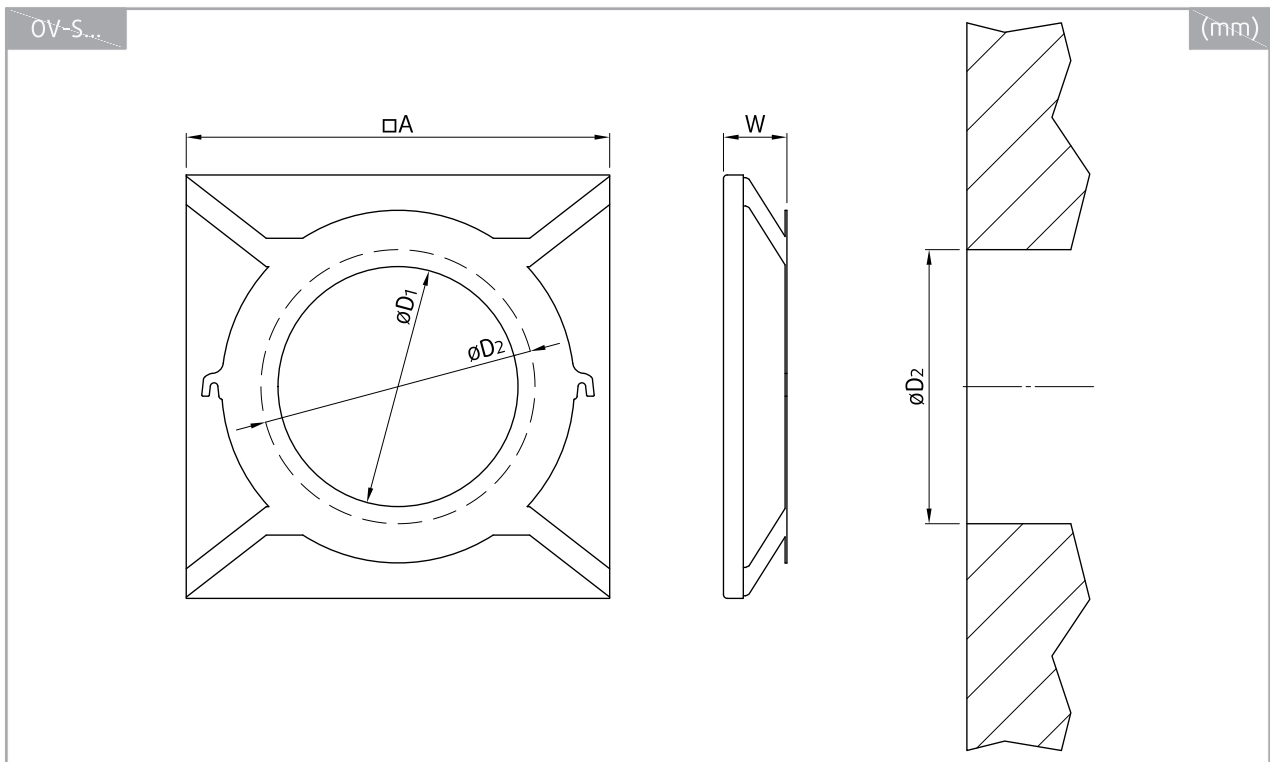
P2 Acoustic attenuation foam inlay

P3 Acoustic attenuation lining mat for wall opening (AL-OV-R)

P4 4× Wall plug UniFast 6 mm

P5 4× Screw Uni ø4 × 30 mm

Dimensions & Weights



DN	øD ₁	□A	øD ₂ *	W	m
	mm				kg
100	102	199	120	30	1,0
125	127	224	145	34	1,2
160	162	249	180	34	1,4
200	202	314	220	38	2,1

NOTE: øD₂ is the diameter of the wall opening

Ordering Codes

OV-S

Air Transfer Device

Size

100

125

160

200

Surface finish

SW Signal white (RAL9003, gloss 30%)

RALXXXX Other RAL colour

NOTE: For walls thicker than 150 mm, an additional AL-OV-R lining mat will be added to the OV-S package

Example of the Ordering Code

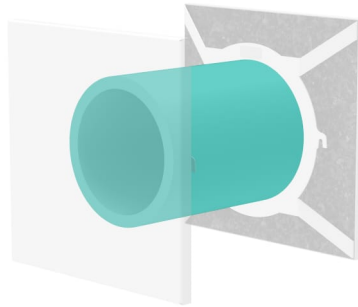
OV-S-125-SW

OV-S air transfer device, size 125 mm, powder painted to signal white color (RAL9003).

Accessory

AL-OV-R

Acoustic lining mat



Description

AL-OV-R is an acoustic lining mat. The product is intended to improve the acoustic attenuation of the OV-S air transfer device. The product is part of delivery of the OV-S transfer unit. For walls less than 150 mm thick the mat can be cut to the length corresponding to the wall thickness. An additional mat can be ordered as an accessory for walls thicker than 150 mm. Two mats can be combined and cut to the corresponding length to line the entire inner area of the wall opening.

Design

AL-OV-R is manufactured from acoustic attenuating polymer foam. Before the installation of the OV-S, the mat shall be simply rolled and inserted into the wall opening.

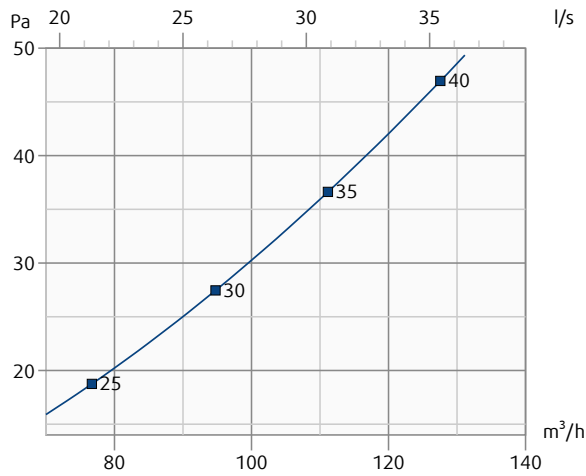
Item Numbers

Ordering Code	Item No.
AL-OV-R-100	229834
AL-OV-R-125	229835
AL-OV-R-160	229836
AL-OV-R-200	229837

Technical Parameters

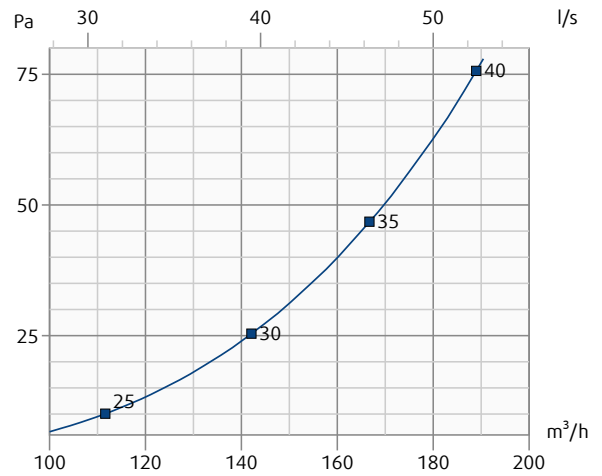
OV-S-100-SW

Pressure drop & A-weighted sound power level in dB(A)



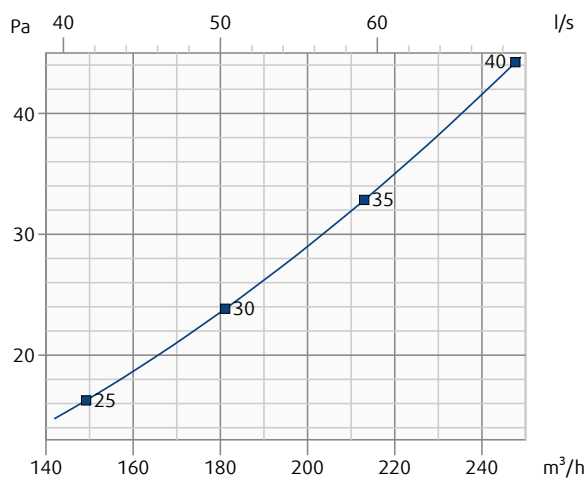
OV-S-125-SW

Pressure drop & A-weighted sound power level in dB(A)



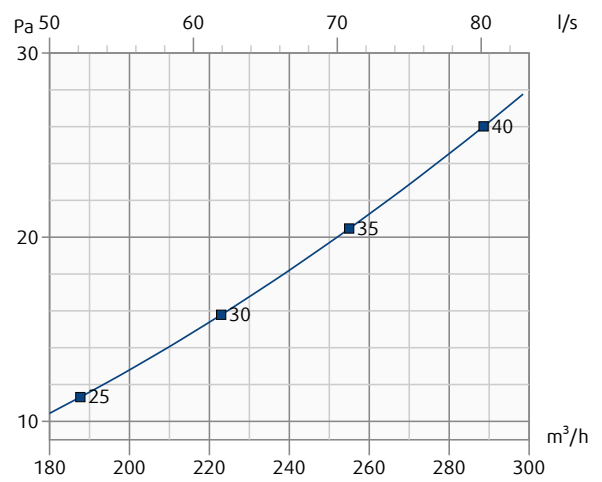
OV-S-160-SW

Pressure drop & A-weighted sound power level in dB(A)



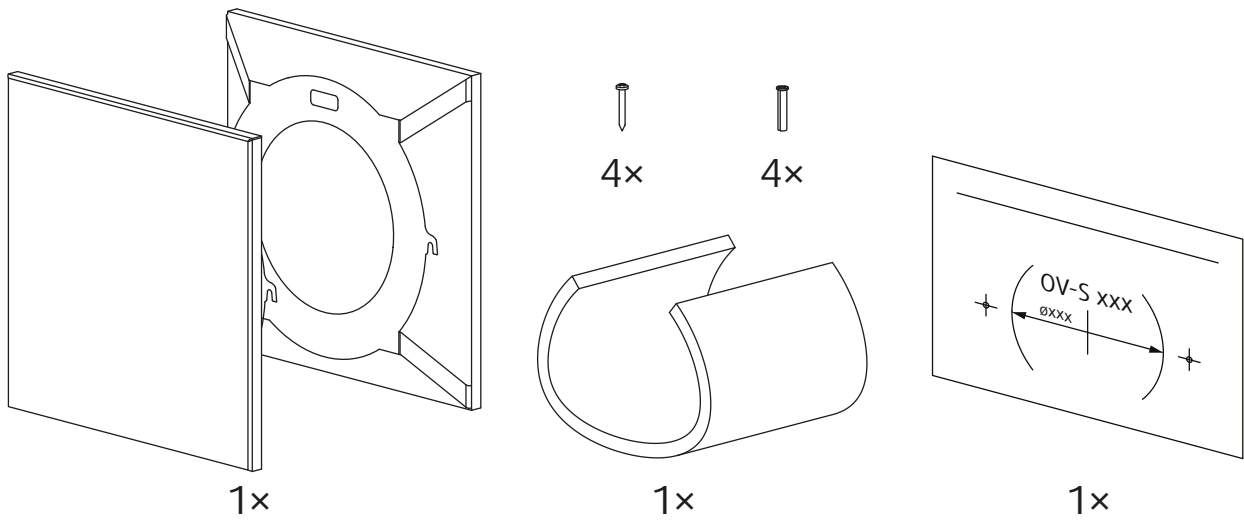
OV-S-200-SW

Pressure drop & A-weighted sound power level in dB(A)

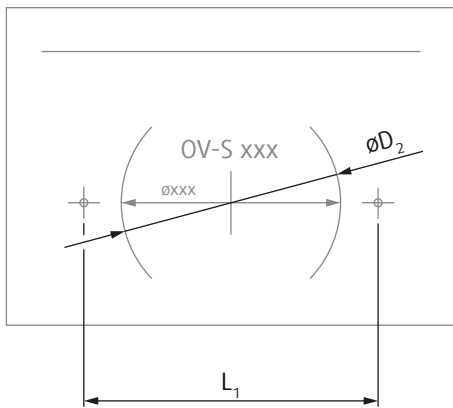


Installation

i

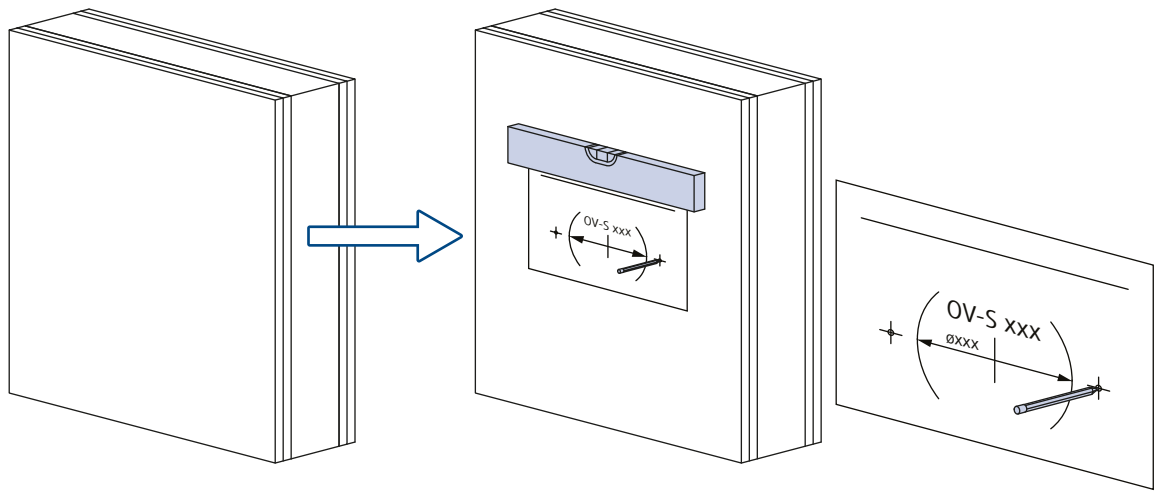


i

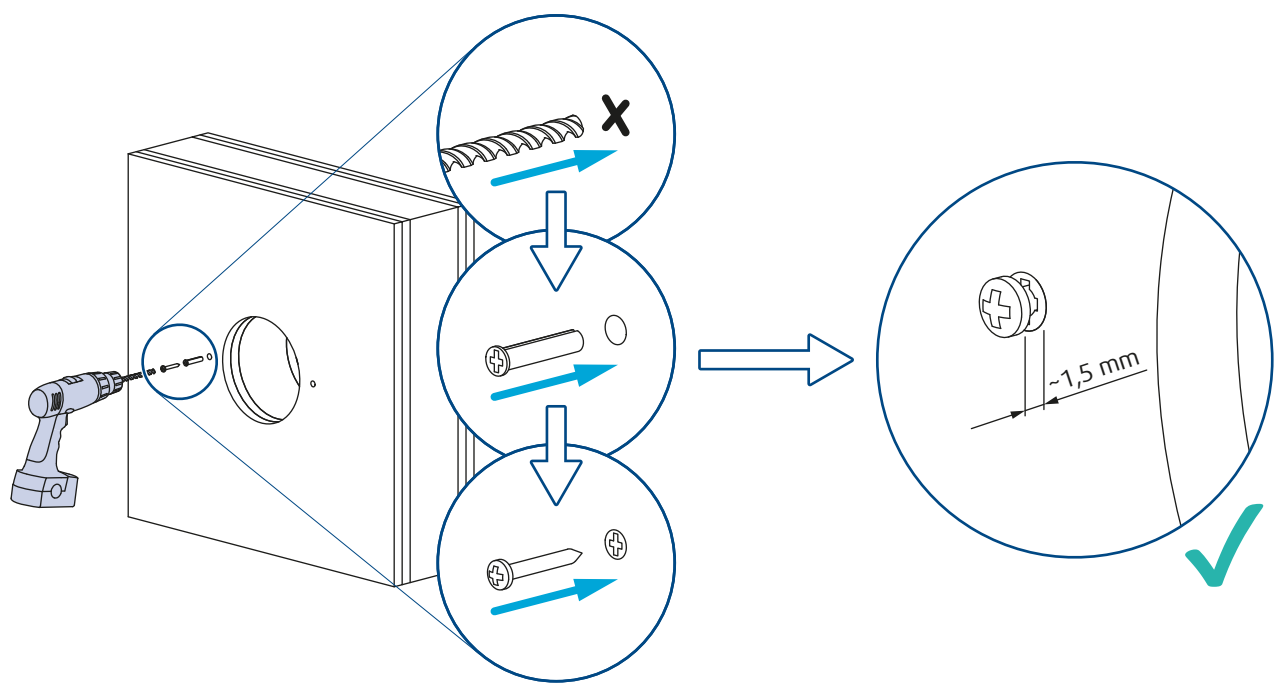


DN	$\varnothing D_2$	L_1
	mm	
100	DN + 20	156
125		195
160		208
200		248

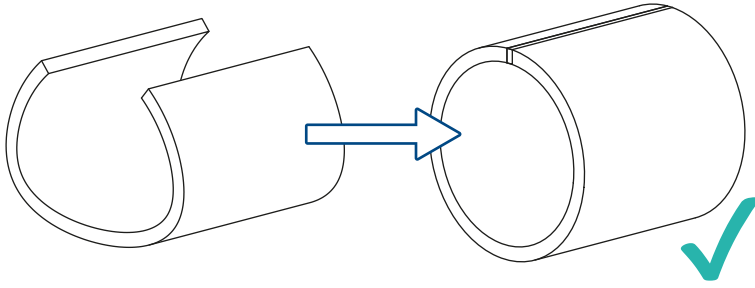
1.



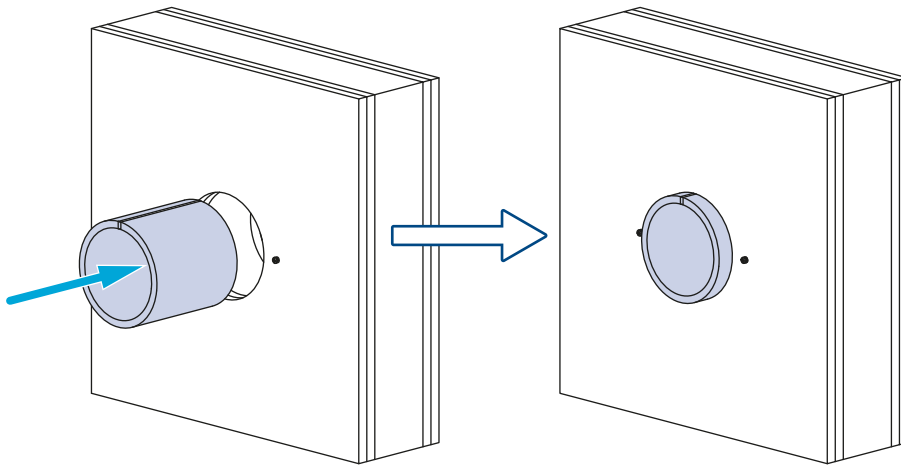
2.



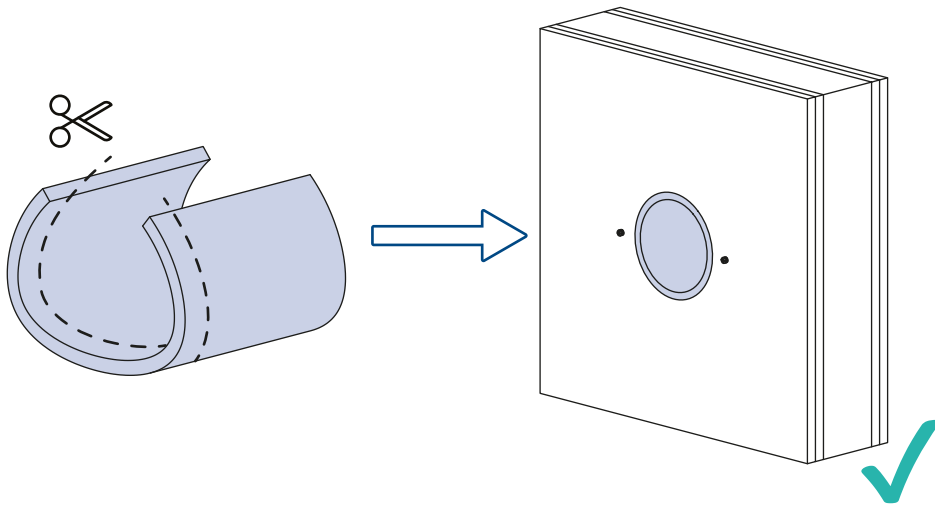
3.



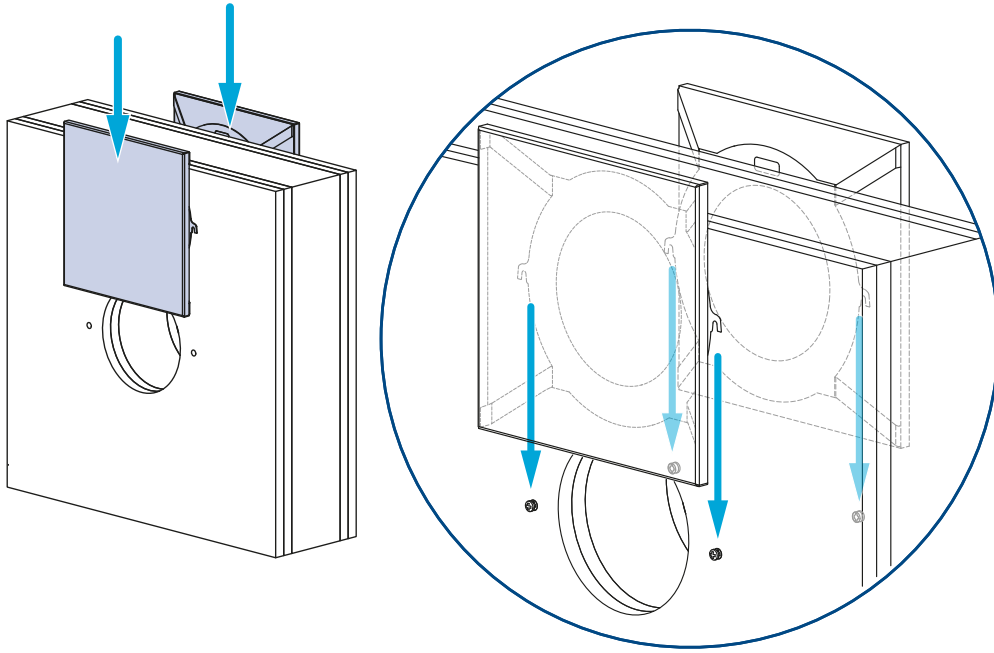
4.



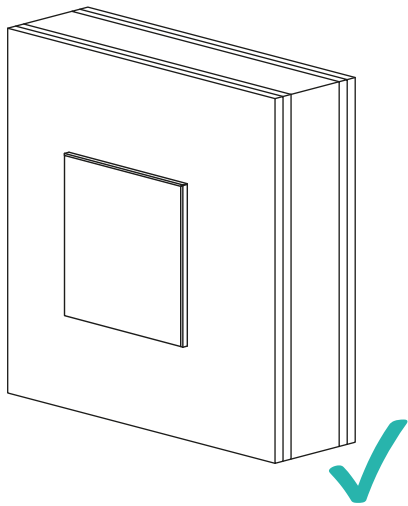
5.



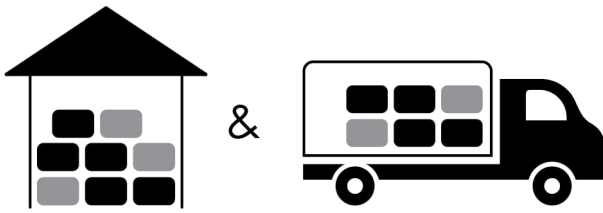
6.





7.




Transport, Storage and Operation




 °C -40 °C ... +50 °C

 % ≤ 95%



 °C -20 °C ... +70 °C

 % ≤ 95%

Supplement

Any deviations from the technical specifications contained herein and the terms should be discussed with the manufacturer. We reserve the right to make any changes to the product without prior notice, provided that these changes do not affect the quality of the product and the required parameters. Current information on all products is available on design.systemair.com.



Handbook_OV_S_en-GB
design.systemair.com
www.systemair.com

© Copyright Systemair Production a.s
All rights reserved
E&OE

Systemair reserves the right to alter their products without notice.
This also applies to products already ordered, as long as it does not affect the previously agreed specifications.