

Serie BA Series

Serie di ventilatori a pale curve in avanti.

Versioni:

Standard: coclea INOX - girante INOX -
viteria acciaio INOX

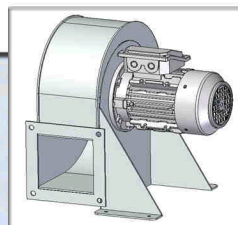
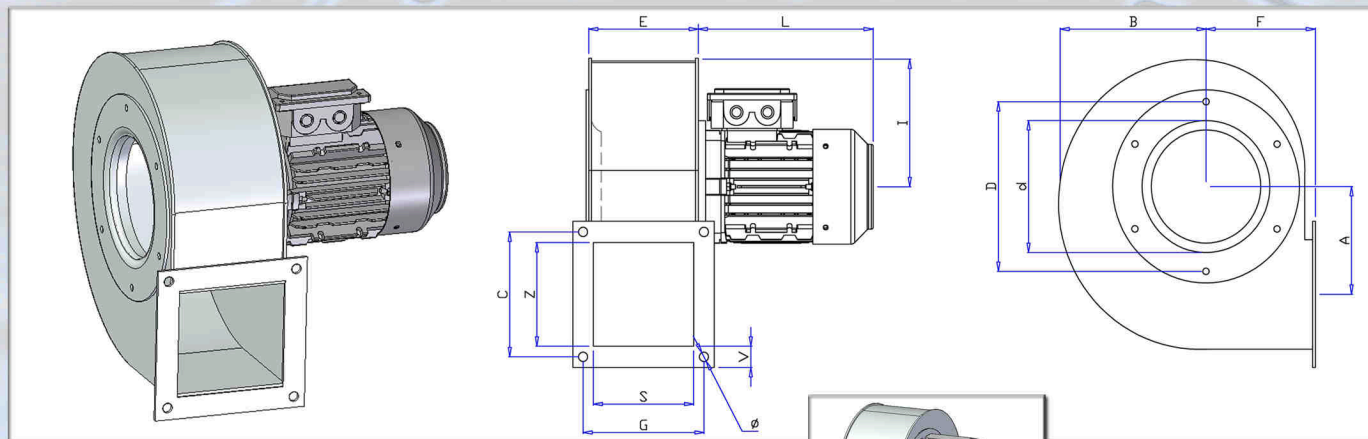
ATEX: coclea INOX - girante INOX -
rasamenti antiscintilla - viteria acciaio INOX

Fans series with forward curved blades.

Versions:

Standard: INOX housing - INOX impeller -
stainless steel screws

ATEX: INOX housing - INOX impeller -
sparkproof execution - stainless steel screws



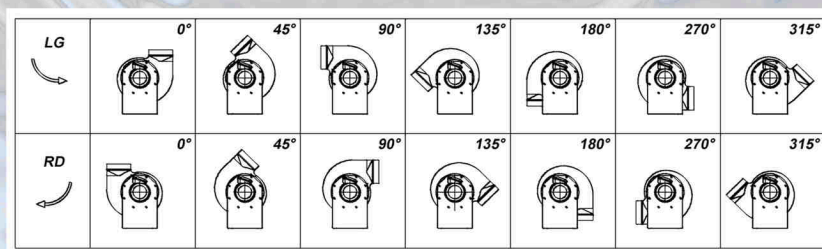
ACCESSORI:
supporto motore INOX

ACCESSORIES:
stainless steel motor support

Tipo Type	Mot.Gr. Size	Mot. Kw	Giri Rpm	A	B	C	D	d	E	F	G	I	L	S	V	Z	Ø	KG.*	KG.**
BA 100-52	56	0.12	2850	65	90	85	115	75	72	80	85	77	165	70	15	70	7x14	2	4
BA 130-64	63	0.12	1450	92	125	110	158	101	92	104	110	110	190	90	20	90	9x16	4	6
BA 130-62	63	0.18	2850	92	125	110	158	101	92	104	110	110	190	90	20	90	9x16	5	7
BA 130-84	63	0.12	1450	92	125	110	158	101	112	104	130	110	190	110	20	90	9x16	6	8
BA 130-82	63	0.25	2850	92	125	110	158	101	112	104	130	110	190	110	20	90	9x16	6	8
BA 160-84	63	0.12	1450	115	158	133	182	120	114	120	133	134	190	110	22.5	110	9x16	9	11
BA 160-82	71	0.37	2850	115	158	133	182	120	114	120	133	134	215	110	22.5	110	9x16	9	12
BA 180-84	63	0.18	1450	115	158	133	200	140	114	120	133	134	190	110	22.5	110	9x16	10	12
BA 180-82	71	0.55	2850	115	158	133	200	140	114	120	133	134	215	110	22.5	110	9x16	10	13
BA 200-104	71	0.25	1450	145	190	165	220	170	144	155	165	160	190	140	25	140	9x16	11	14
BA 200-102	80	1.1	2850	145	190	165	220	170	144	155	165	160	250	140	25	140	9x16	19	23

* esecuzione con motore standard - standard motor execution

** esecuzione ATEX - ATEX execution



Venplast srl