

Movement by Perfection



The Royal League in **ventilation**, control and drive technology



Product documentation

Type
DN71V-2DF.I7.11.G9_15KW

The Royal League

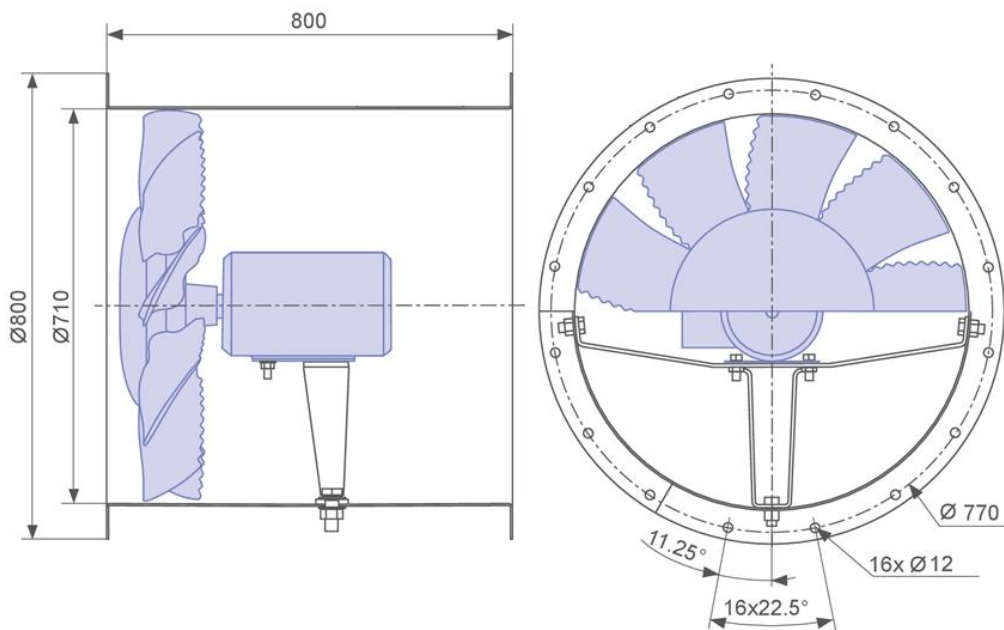
Die Königsklasse

Product specification

Technical data

Article number	-
Type	DN71V-2DF.I7.11.G9
Designation	Medium pressure axial fan
Rated values	3~400/690V D/Y 50Hz; 15kW 25,90/15,00A; 2945/min
Electrical connection	Terminal box on motor
Approx. weight kg	207,00kg
min. operating temp.	-20°C ~ +50°C
Type of protection	IP55
Thermal class	Thermal class 155
Fitting position	Fitting position horizontal / vertical
Number of blades	9
Corrosion protection	Hot Dip Galvanized Steel
Motor protection	Motor protection through PTC
Balancing quality	Balancing quality G6,3
Material blades	ZAmid
Painting impeller	Without
Colour blades	Blue
certificated	GOST certified, ...
Painting housing	Unpainted casing
ErP Data	Efficiency η_{statA} : 50,3 % Efficiency grade: N = 50,1 (actual) / N = 40 (target)* *ErP 2015

Drawing



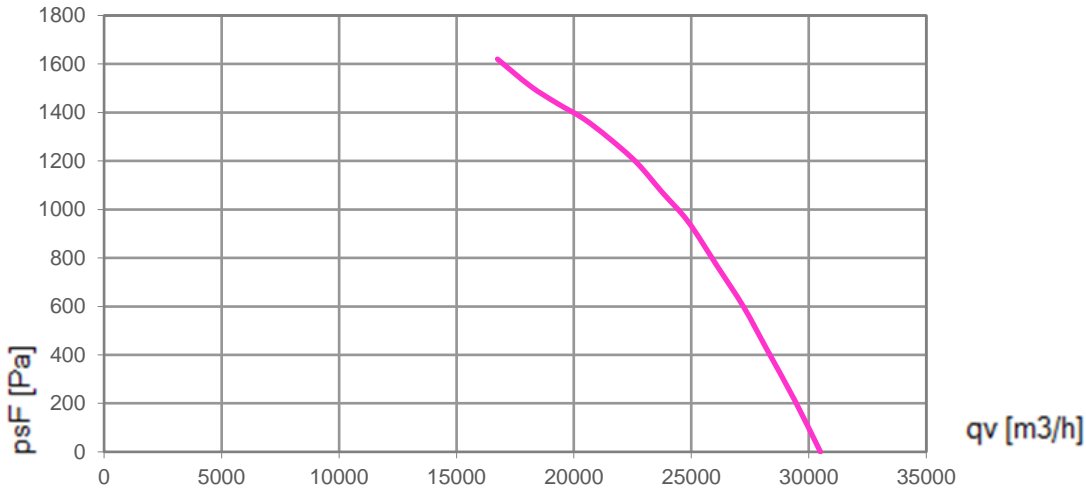
Dimensions in mm
Shown drawing is just to show the dimensions of the fan.

The Royal League

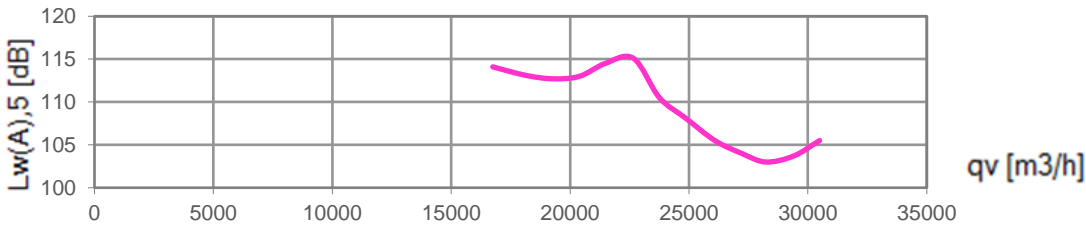
Die Königsklasse

Characteristic curve

Air performance



Acoustics



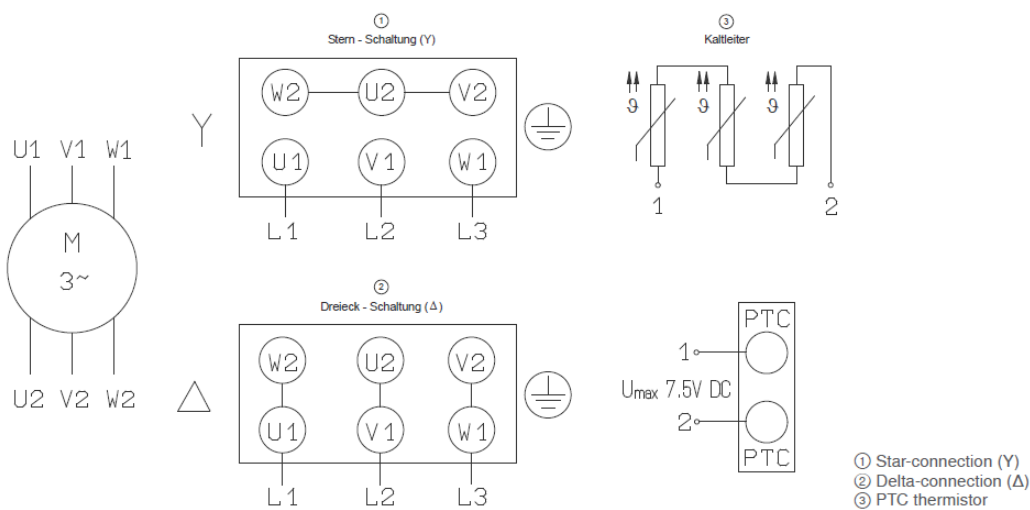
Measured in long casing with inlet bell mouth without guard grille in installation type A air flow impeller/motor according to ISO 5801.

Please note: It's not allowed to use this fan in the stall area!*

*In doubt please ask your responsible ZIEHL-ABEGG sales contact.

Measurements based on Motors with efficiency class IE3

Connection diagram



Reversible rotation by interchanging phases

Rated voltage:
 Motor size ≤ 90: 230 V Δ / 400 V Y
 Motor size ≥ 100: 400 V Δ / 690 V Y

Optional accessories

Frequency inverter FXDM32A 308078

400V 32A 15kW IP54 386x525x283



Setting of the desired speed through device or by external default, e.g. 0~10V



Connecting pressure sensors, e.g. 0~30 bar, 0~50 bar



Connection of thermistors e.g. sensors type TF, sensors type MTG



Connecting differential pressure sensors e.g. type MPG 0~6000Pa



Connecting air velocity sensors e.g. type MAL, measuring range 0~1 m/s, 0~10 m/s



Connecting additional sensors e.g. CO₂, sensors signal 0~10V / 0~20mA / 4~20 mA

Motor protection

MSR220K – T2211775 (with reset) – 2U, AC 220-240V



- Electronic reclosing lock
- Integrated RESET-button
- Link for external RESET
- Automatic RESET at voltage recovery
- LEDs for power ON (green) and alarm (red) in reset – button
- UL Recognized Component
- Option: other supply-voltages

Accessories:

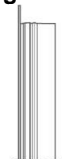
Inlet ring – 00500363



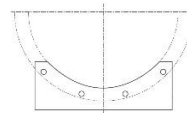
Flexible connector – 00500444



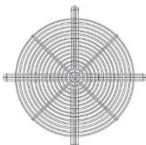
Mating flange – 00500347



Mounting feet – 00500377



Guard grille (Mesh 10mm) on the suction side – 00500147



Guard grille (Mesh 20mm) on the engine side – 00500546

