

Movement by Perfection



The Royal League in **ventilation**, control and drive technology



Product documentation

Type
DN14V-6DF.S7.29.G9_37kW

The Royal League

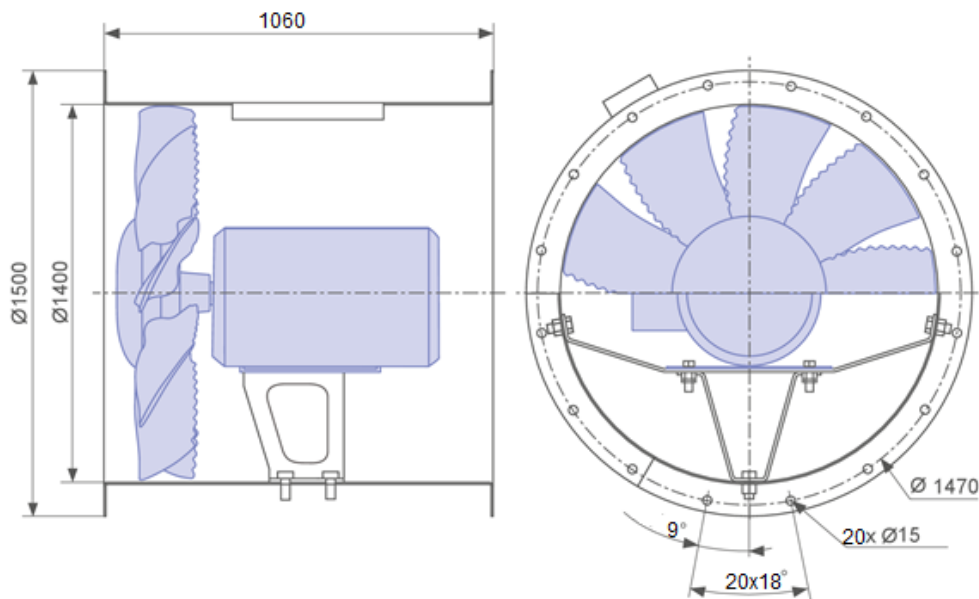
Die Königsklasse

Product specification

Technical data

Article number	-
Type	DN14V-6DF.S7.29.G9
Designation	Medium pressure axial fan
Rated values	3~400/690V D/Y 50Hz; 37kW 68,10/39,50A; 985/min
Electrical connection	Terminal box on motor
Approx. weight kg	684,00kg
min. operating temp.	-20 ~ +50°C
Type of protection	IP55
Thermal class	Thermal class 155
Fitting position	Fitting position horizontal / vertical
Number of blades	9
Corrosion protection	Hot Dip Galvanized Steel
Motor protection	Motor protection through PTC
Balancing quality	Balancing quality G6,3
Material blades	ZAmid
Painting impeller	Without
Colour blades	Blue
certificated	GOST certified, ...
Painting housing	Unpainted casing
ErP Data	Efficiency η_{statA} : 46,7 % Efficiency grade: N = 45,7 (actual) / N = 40 (target)* *ErP 2015

Drawing



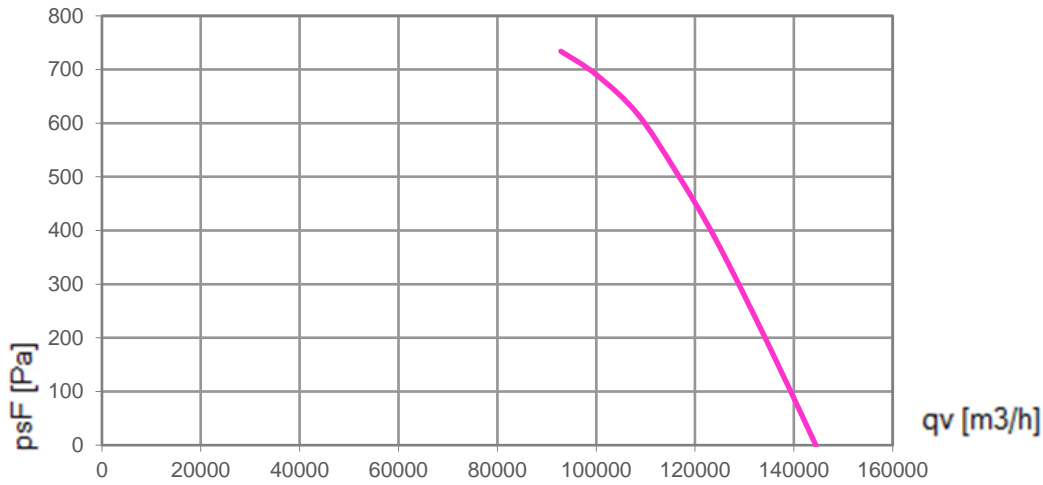
Dimensions in mm
Shown drawing is just to show the dimensions of the fan.

The Royal League

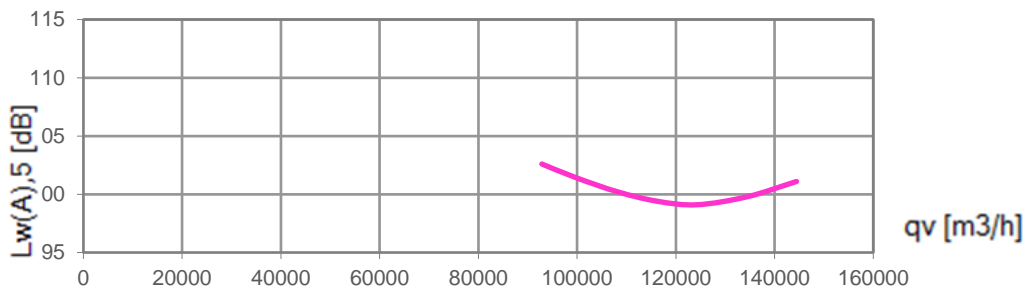
Die Königsklasse

Characteristic curve

Air performance



Acoustics



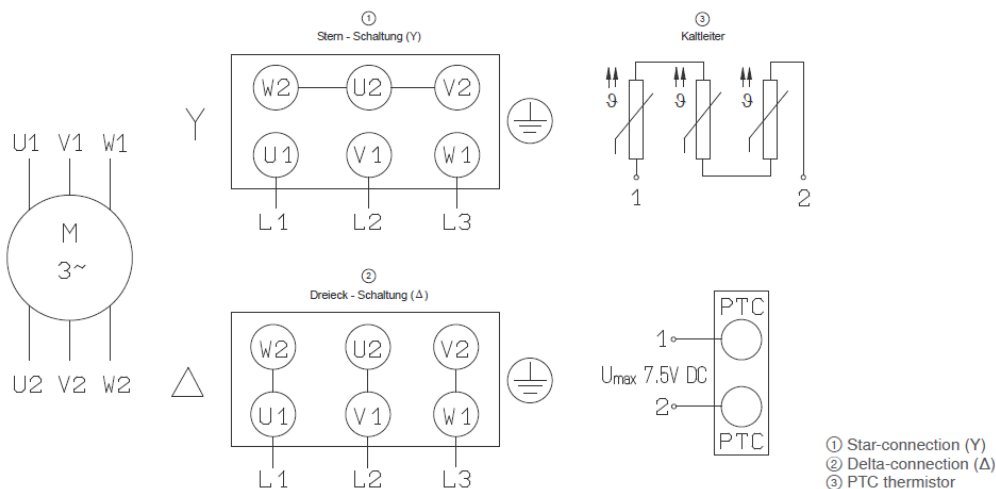
Measured in long casing with inlet bell mouth without guard grille in installation type A air flow impeller/motor according to ISO 5801.

Please note: It's not allowed to use this fan in the stall area!

*In doubt please ask your responsible ZIEHL-ABEGG sales contact.

Measurements based on Motors with efficiency class IE3

Connection diagram



Reversible rotation by interchanging phases

Rated voltage:
Motor size ≤ 90: 230 V Δ / 400 V Y
Motor size ≥ 100: 400 V Δ / 690 V Y

The Royal League

Die Königsklasse

Optional accessories

Motor protection

MSR220K – T2211775 (with reset) – 2U, AC 220-240V



- Electronic reclosing lock
- Integrated RESET-button
- Link for external RESET
- Automatic RESET at voltage recovery
- LEDs for power ON (green) and alarm (red) in reset – button
- UL Recognized Component
- Option: other supply-voltages

Accessories:

Inlet ring – 00500368



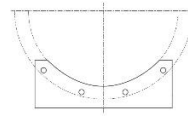
Flexible connector – 00500449



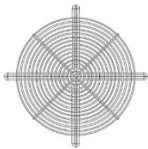
Mating flange – 00500352



Mounting feet – 00500382



Guard grille (Mesh 10mm) on the suction side
– 00500153



Guard grille (Mesh 20mm) on the engine side
– 00500551

