



Fan heater Cat

Compact fan heater for smaller premises

Cat is a range of compact and quiet fan heaters for stationary use. It is ideally suited for small stockrooms, in a garage, workshop or shop.

The Cat fan heater has a classic clean design in white enamelled sheet steel. It is small and unobtrusive and with that easy to position.

- Low sound level.
- Wall bracket with 10° tilt angle for good heat distribution.
- Integrated output selector.
- To comply with Ecodesign Regulation (EU) 2015/1188 the unit must be installed with thermostat TAP16R (accessory). TAP16R has adaptive start, week program and open window detection.
- Cat 3 kW can also be connected to single phase (230V~).
- Corrosion proof housing made of hot zinc-plate and powder enameled steel panels. Colour: RAL 9016, NCS S 0500-N (white).

Fan heater Cat (IP44)

Type	Output steps [kW]	Airflow [m³/h]	Sound level*1 [dB(A)]	Δt*2 [°C]	Motor [W]	Voltage [V]	Amperage [A]	HxWxD [mm]	Weight [kg]
C3N	0/1,5/3	280	41	32	28	230V~/400V3N~*3	13,2/4,4	255x335x276	6,3
C5N	0/2,5/5	480	40	31	34	400V3N~	7,3	255x335x276	6,7
C9N	0/4,5/9	720	44	37	52	400V3N~	13,1	315x405x335	10,2

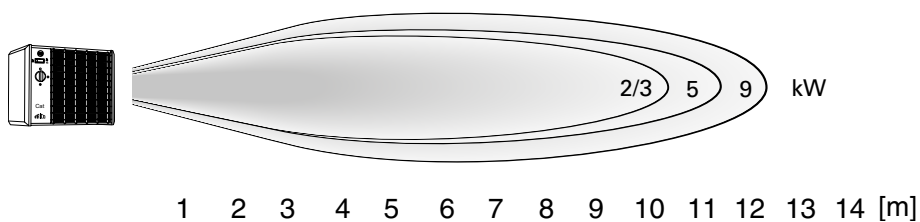
*1) Conditions: Distance to the unit 3 metres. Directional factor: 2. Equivalent absorption area: 200 m².

*2) Δt = temperature rise of passing air at maximum heat output.

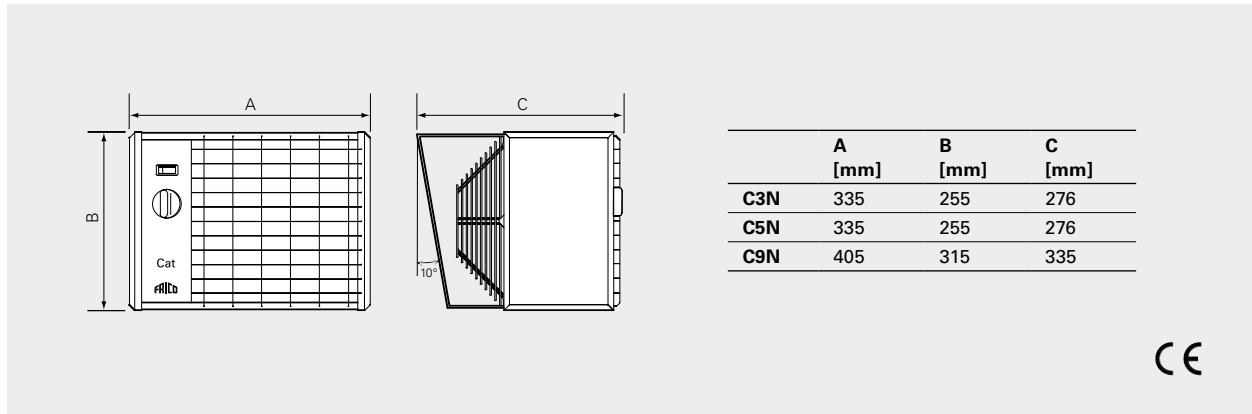
*3) Supplied connected for 400V3N~. C3N can be connected for 230V~ and 400V3N~. Other models should not be connected for single phase, 230V~.

Approved for 220V/1ph/60Hz and 380V/3ph/60Hz. Product performance for 220V/1ph/60Hz and 380V/3ph/60Hz will differ from stated data.

Air throw



Dimensions



Control options

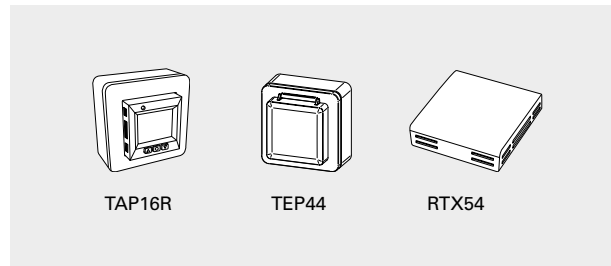
Fan heater Cat is equipped with integrated function switch and output selector. The function switch makes it possible to select if the external thermostat controls both the fan and the heating, or only the heating.

The output is set on the integrated output selector. An external output selector can also be used.

The fan heater must be installed with thermostat TAP16R which offers adaptive start, week program and open window detection.

- TAP16R, electronic thermostat

The product can be controlled in a different way, e.g. by an overall control system (BMS) as long as the requirements of Ecodesign Regulation are met.



Type	Description	HxWxD [mm]
TAP16R	Electronic thermostat, IP21	87x87x53
TEP44	Protective enclosure for TAP16R, IP44	87x87x55
RTX54	External room temperature sensor, NTC10KΩ, IP54	82x88x25

Control options for installations not covered by the Ecodesign Regulation (EU) 2015/1188

Fan heater Cat is equipped with integrated function switch and output selector. The function switch makes it possible to select if the external thermostat controls both the fan and the heating, or only the heating.

The output is set on the integrated output selector. An external output selector can also be used.

The fan heater should be installed with an external thermostat.

- KRT1900/KRTV19, capillary tube thermostat
- EV300, output selector
- CBT, electronic timer



Type	Description	HxWxD [mm]
KRT1900	Capillary tube thermostat, IP55	165x57x60
KRTV19	Capillary tube thermostat with knob, IP44	165x57x60
EV300	Output selector	100x80x90
CBT	Electronic timer	155x87x43